

HYVOX[®]

EXPRESS EGG BOILER



USER'S MANUAL

Model HI-377

Thank you for purchasing Hyvox Express Egg boiler, from Hyvox Ingenious Home Collection of products. Please read your user's manual carefully as it provides important information regarding safety, operation and maintenance. Please kindly retain this manual and model number for future reference.

Ingenious Home Collection
Changing life concepts!

YVOX



Thank you.

We appreciate your business. Thank you for purchasing Hyvox Express Egg Boiler from the Hyvox Ingenious Home Collection of products.

Changing Life Concepts!

CONTENTS

Express Egg Boiler.....	02
Anatomy of the Egg Boiler.....	03
Safety Instructions.....	04
Things to remember.....	06
First time operation.....	06
Operating Instructions.....	07
Care & Cleaning.....	09
Warranty Information.....	10

EXPRESS EGG BOILER HI-377

Hyvox brings you another Ingenious Home Collection that will brighten your day with easy boiling eggs.

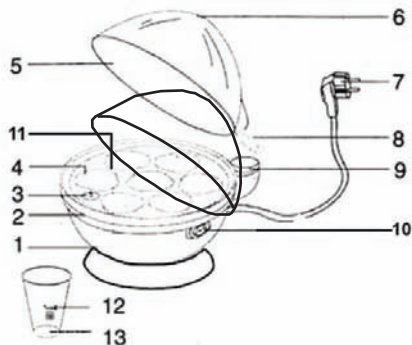
Makes perfect soft or hard boiled eggs, fast and in style. Can make 1 or upto 7 eggs at a time. Hyvox Egg Boiler lets you boil the eggs in their shell. Easy to use and easy to clean; safe with auto switch off capacity. Also has an alarm function that lets you know the boiling is done. Has a Stainless steel heating plate with a removable stainless steel lid. Live fast life in conceptual style.

ADVANTAGEOUS FEATURES

01. Boils up to 7 eggs at one time
02. Cook soft or hard egg
03. Auto switch off function
04. Safety cut-off function
05. Stainless steel heating plate
06. Comes with handy measuring cup
07. Power 220-240V/350W

ANATOMY OF EXPRESS EGG BOILER

Here we explain to you the various parts of the Express Egg Boiler.



- 1 Motor unit
- 2 Egg tray
- 3 Egg pecker
- 4 Egg insert
- 5 Cover hood
- 6 Steam opening
- 7 Power cord plug
- 8 Handle hood
- 9 Handle egg tray
- 10 Switch I/O
- 11 Water tray
- 12 Scale
- 13 Measuring beaker

SAFETY INSTRUCTIONS

To reduce the risk of fire, electric shock, or injury, basic precautions mentioned below should be followed.

01. Incorrect Operation and improper use can damage the appliance and cause injury to the user.
02. Before connecting the appliance to the power source, check that the current and power match those given on the rating plate.
03. Do not put the appliance or the plug in water or any other liquid. However should the appliance accidentally fall into water, unplug the appliance immediately and have it checked by a qualified person before using it again. Non-observance could cause a fatal electric shock!
04. Never attempt to open the housing yourself.
05. Do not place any kind of object into the inside of the housing.
06. Do not use the appliance with wet hands, on a damp floor or when the appliance itself is wet. Do not touch the plug with wet or damp hands.
07. Check the cord and the plug regularly for any possible damage. If the cord or plug is damaged, it must be replaced by the manufacturer or a qualified person in order to avoid a hazard.
08. Do not use the appliance if it is dropped or otherwise damaged or if the cord or plug are damaged. In the case

SAFETY INSTRUCTIONS cont...

of damage, take the appliance to an electrical repair shop for examination and repair if necessary.

09. Never attempt to repair the appliance yourself. This could cause an electric shock.
10. Do not allow the cord to hang over sharp edges. Keep it well away from hot objects and naked flames. Remove the plug from the socket only by holding the plug.
11. This appliance is not suitable for commercial use nor for use in the open air.
12. Always remove the plug from the socket when the appliance is not in use and each time before it is cleaned.
13. Danger! Nominal voltage is still present in the appliance as long as the appliance is connected to the mains socket.
14. Switch the appliance off before disconnecting from the mains.
15. Never use the cord to carry the appliance.

THINGS TO REMEMBER

Please always keep in mind the below points while operating the unit. They are best for a healthy enjoyment of the unit.

01. The unit heats up very quickly and cools down only very slowly. Watch out therefore constantly for hot water and steam emitted during use.
02. Touch or hold the unit only on the handles.
03. Do not use any accessories not supplied with this unit.
04. Do not place this unit next to hot devices (e.g. next to a cooker or oven)
05. Caution: The power cord must not touch the hot parts of the unit during operations!
06. This unit is suitable only for boiling eggs. Please do not try to heat up other foodstuff with this unit.
07. Do not operate this unit without the cover and without the egg tray.

FIRST TIME OPERATION

01. Remove all packing material.
02. Clean the unit before using it for the first time (see **CLEANING AND CARE** for more information.)
03. There can be some smoke and smell when using it for the first time. Residues left over from the manufacturing process are being burned on the surface of the unit.

OPERATING INSTRUCTIONS

Please follow the instructions below carefully. They contain important boiling instructions and guidelines.

01. You can boil up to 7 eggs per cooking session. Please always use only fresh eggs. Place the egg tray on the motor unit.
02. Make a tiny hole in the small end of the egg using the egg pecker. Do not use force, otherwise the egg might break. Please put in the smaller end of the egg into the insert.
03. Now fill in the required quantity of clear water into the measuring beaker. The quantity of water depends upon the number of eggs to be boiled and the hardness desired (soft, medium or hard boiled). There are three scales on the measuring beaker showing how much water to use,
Scale 1 – Soft Cooking time approx. 12 min.
Scale 2 – Medium Cooking time approx. 15 min.
Scale 3 – hard Cooking time approx. 17 min.
04. Example: If you want to make four soft-boiled eggs, fill water up to the marking 4 on scale 1.
05. If the water is very hard, you can add half a teaspoon of vinegar. Please do not otherwise use any fluids other than water. Also, do not add any additives (such as salt).
06. Now pour the water from the measuring beaker into the water tray. Take care not to spill any water on the housing of the motor unit!
07. Cover the egg insert with the cover. Please ensure that egg insert and cover fit properly on the motor unit.
Put the switch I/O in position O (Unit Off).

OPERATING INSTRUCTIONS cont...

08. Connect the mains plug through a suitable plug socket and put the switch O/I in position I. The indicator lamp in the switch O/I lights up. The hot plate on the motor unit begins to heat up the water in the water tray.
09. Do not shift the unit while it is in use. The water is boiling and hot steam escapes through the steam opening. The cover must not be taken off while eggs are being boiled. Or the steam would all escape immediately.
10. When the water in the water tray has all evaporated, the eggs are done. An audible signal is emitted. The indicator lamp in the switch O/I goes off. The hot plate on the motor unit now starts cooling off.
11. Put the switch O/I in position O. The audible signal discontinues. Pull out the mains plug.
12. Please lift up cover from the unit carefully. Hold it by the handle!
13. Remove the egg tray from the unit by the handle. Help the eggs shrink by holding them under cold, flowing water. The eggs are now ready to serve. Please put back the egg inserts in the eggs tray using a piece of cloth.

CARE & CLEANING

If servicing is needed, take it to our service centre. Do not try to repair it. There are no user serviceable parts.

01. In addition to this, you must observe the safety instructions.
02. Let the unit cool down completely before starting to clean.
03. You can clean the cover and egg tray with water and dish washing medium.
04. Use a piece of cloth moistened with water and cleaning medium for cleaning the housing and water tray. Dry them carefully after cleaning.
05. Caution ! Do not let the electrical elements in the unit come in contact with water!
06. Decalcification of the water tray: Egg shells contain a lot of calcium salts. This salt can deposit in the water tray, unless it is decalcified regularly. To do this, pour a little household vinegar into the measuring beaker with water. Pour this mixture now into the water tray. After 30 minutes of working, the mixture can be poured out. Wipe the water tray dry using a piece of cloth.
07. Please do NOT boil this mixture in the unit
08. We recommend that you store the unit, after cleaning, back into the carton, in which you received the unit.

WARRANTY INFORMATION

This warranty covers only manufacturer defectives for one year, with the exceptions stated below.

What Is Not Covered

This warranty does not cover any damage caused due to physical abuse of the product by misuse or use other than as intended and described in the instruction manual, or damage caused by failure to properly clean and maintain this product or damages caused by natural disaster or acts of war. The warranty is voided if connected to any voltage or specifications other than prescribed on the product. Also, if the unit is opened for self repair, the warranty will be void for any further repair or problem analysis. The warranty may not be used if the product is served in public places such as lodging house, training centres etc. Warranty does not cover any shipping and handling charges. Hyvox Inc. reserves the right to refuse any warranty claim without any valid reasons.

What Will We Do

Should you detect any malfunction, please return the damaged product along with the purchase receipt with a brief explanation of the problem, either directly to a distributor of Hyvox products near you or to the shop you had purchased from. We will repair any defects in materials or workmanship within one year of purchase. If the defective is found un-repairable within the warranty period, Hyvox with its discretion will replace it for a new unit. However, Hyvox reserves complete rights in decision making in regards to processing the warranty, rejecting any claim without any valid reason or arranging a replacement.

If you have any questions, please feel free to contact our customer service e-mail or our local distributors near you. Please visit www.hyvox.com to find a local distributor near you.

Find more Hyvox Ingenious Home Collection products at

www.hyvox.com

Changing life concepts!

Send us your valuable suggestions and feedback.

Login to www.hyvox.com.

You can also find a copy of this document for download and other supportive materials on our website. Thank you once again for purchasing Hyvox Express Egg Boiler, your Ingenious Home Collection.

HYVOX[®]

Ingenious Home Collection
Changing life concepts!

Hyvox Inc.
Mississauga, Ontario
Canada

info@hyvox.com
www.hyvox.com

'Hyvox' brand name and logo, 'Ingenious Home Collection' and 'Changing life concepts!' are registered trademarks of Hyvox Inc., Ontario, Canada.

Copyright © Hyvox Inc. 2005. E&OE.